



# INSTALLATION INSTRUCTIONS HOOD MODELS – WPN

By CNP INDUSTRIES, INC.  
P.O. Box 18645 Anaheim, Ca 92817 (877) 387-6721

**PLEASE READ ENTIRE INSTRUCTION BEFORE PROCEEDING.  
INSTALLATION MUST COMPLY WITH ALL LOCAL CODES.  
IMPORTANT:** Save these Instructions for the Local Electrical Inspector's use.  
**INSTALLER:** Please leave these Installation Instructions with this unit for owner.  
**OWNER:** Please retain these Instructions for future reference

## IMPROTANT SAFETY INSTRUCTIONS

**WARNING - TO REDUCE THE RISK OF FIRE, ELECTRICAL SHOCK, OR INJURY TO PERSONS, HOODS SHOULD BE INSTALLED WITH VENTILATORS APPROVED FOR USE WITH THE HOOD. SEE TABLE – 1 OF THIS INSTRUCTION FOR APPROVED VENTILATORS.**

**WARNING - TO REDUCE THE RISK OF FIRE, ELECTRIC SHOCK, OR INJURY TO PERSONS, OBSERVE THE FOLLOWING:**

A. Installation work and Electrical Wiring Must be Be Done By Qualified Person(s) In Accordance With All Applicable Codes & Standards, Including Fire-Rated Construction. **“WARNING”** To Reduce The Risk Of Fire, Use Only Metal Duct Work.

B. Sufficient air is needed for proper combustion and exhausting of gases through the flue (chimney) of fuel burning equipment to prevent backdrafting. Follow the heating equipment manufactures guideline and safety standard such as those published by the National Fire Protection Association (NFPA) and the American Society for Heating, Refrigeration and Air Conditioning Engineers (ASHRAE), and the local code authorities.

C. When cutting or drilling into wall or ceiling, do not damage electrical wiring and other hidden utilities.  
D. Before Servicing or Cleaning Unit, Switch Power off At Service Panel And Lock Service Disconnecting Means to Prevent Power From Being Switched On Accidentally. When The Service Disconnecting Means Cannot be Locked, Securely Fasten A Prominent Warning Device, Such As A Tag, To The Service Panel

**CAUTION - TO REDUCE THE RISK OF FIRE AND TO PROPERLY EXHAUST AIR, BE SURE TO DUCT AIR OUTSIDE FOR DUCTED FANS – DO NOT VENT EXHAUST AIR INTO SPACE WITHIN WALLS OR CEILING OR INTO ATTICS, CRAWL SPACES OR GARAGES.**

Read this instruction completely before starting installation. Planning the complete installation before starting any work is highly recommended. This includes all aspects of the installation including hood location, ducting, electrical requirements, and adequacy of mounting surfaces.

TABLE - 1  
Use model VEN030I or VEN060I for internal ventilator. Use VEN060E, VEN120E, VEN100E or VEN150E for remote ventilator

This hood has been designed to be used with the ventilators shown in Table-1. Before cutting into cabinets, it is necessary to confirm that the correct ventilator is being used. Your dealer should have reviewed your needs prior to your purchase. Be sure you have the correct ventilation system. **CAUTION:** To Reduce The Risk Of Fire And Electrical Shock, Install This RangeHood Only With Blowers Manufactured By Wind Crest.

**DUCTING:** Use a minimum 8" round duct for VEN030I, VEN060I and VEN060E installations. Use a minimum 10" round duct for VEN120E, VEN100E, VEN150E and VEN060I-Dual installations. Use #10100 8" - round transition or #10287 10"-round transition from hood to ducting. Other Transition are available – See your Dealer for details.

**SAFTY WARNING:**

Turn off power circuit at the service entrance and lockout panel before wiring the range hood.

**BACKDRAFT DAMPER:** It is recommended that a backdraft damper be used in all installations. In cold weather installations it is necessary to use a backdraft damper to minimize backflow of cold air into room. A non-metallic thermal break should also be used to minimize conduction of outside temperatures through the ductwork. The thermal break should be located as close as possible to where the ducting enters the heated portion of the house.



**NOTE:** Unit **must** be vented to outside of the building.

Decide on **vertical** or **horizontal** air discharge. For **vertical air discharge** remove the top air discharge knockout plates. To remove, break the metal web holding plate by placing a screwdriver at one corner of plate and hitting screwdriver sharply with hammer. After breaking a second web the plate can be flexed to break remaining webs. For **horizontal air discharge** remove the air discharge knockout plates from the rear wall of the hood.

**Always wear eye protection.**

**For a vertical air discharge**, with the hood mounted under a cabinet (without duct cover), prepare cabinet for mounting the hood per **FIG – 2**. Use furring strips to level cabinet mounting surfaces with any cabinet trims.

**For a vertical air discharge** and use of the duct cover locate the prescribed ducting per **FIG-3**. Hood, ducting and wiring should be completed before mounting duct cover. See instructions included with duct cover for duct cover mounting.

**For a horizontal air discharge** refer to **FIG- 4**. **NOTE:** Wiring access is located on the top hood surface. See **FIG-2** for wiring access location.

Attach and secure the transition to the hood with #6 x 3/8" sheet metal screws and tape all joints prior to installing the hood. Attach hood to cabinet or wall using #10 wood screws. Holes are located in the back panel and top panel of the hood for mounting. Use minimum of four (4) #10 x 3/4" wood screws to mount the hood. Longer screws are required if wallboard or other nonstructural surfaces are used between the hood and main mounting surface which should be minimum of 3/4" thick. When using rear holes for mounting use proper anchors (#10) if not engaging the wood structure. Prepare cabinet for mounting the hood per **FIG – 2**. Use furring strips to level cabinet mounting surface with any cabinet trims.

**HINT:** If you find vibration noise is present because of Cabinet structure use additional screws, in holes available, to rigidize mounting.

Connect 120 volts – 15 amp, 60 Hz power supply through the conduit hole in the top of hood, connecting to pigtail in hood junction box white to white, black to black and connect green ground wire to power supply ground wire per local codes. The VEN100E/150E ventilator will require revision of some wiring in the hood receptacle box and possible modification of air discharge opening – See VEN100E/150E instructions.

**NOTE: VEN150E requires a 20 AMP Power Supply**

**The recommended height from counter top or cooking surface to the bottom edge of the hood is 30 to 36 inches.** Hood is recommended for use over domestic gas or electric appliances. Not recommended for use over solid fuel fire appliances

**Vertical Air Discharge:** After installing the hood, install the internal blower (see **FIG – 1**) unit by positioning the blower into bracket – A, notched blower bracket will center blower. Rotate into position against hood top and secure with #8 sheet metal screws via bracket – B. To ease assembly you should Predrive and then remove the #8 screw before installing the blower. **Horizontal Air Discharge:** Position blower into bracket – C, rotate brackets – B against top of hood and fasten per previous instructions. If the remote ventilator is used see related instructions.

**CAUTION:** The hood is of sufficient weight that two Installers are recommended to prevent injury or damage to the hood in handling.

Turn the power on at the service entrance and check the operation of the controls.

**NOTE:** Be sure that all dampers (Not Supplied) are operating properly and are free to open.

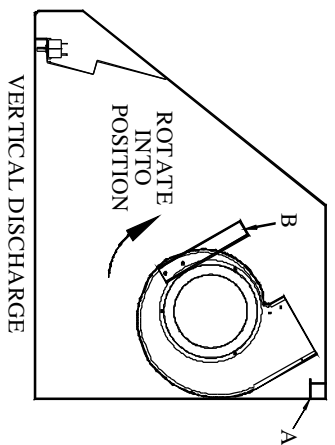


FIG - 1

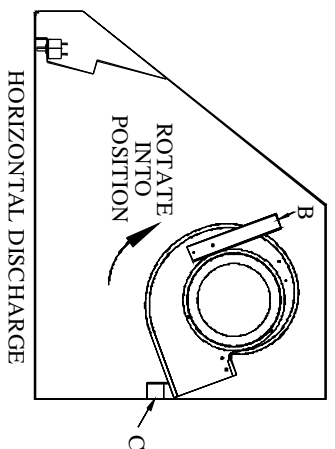
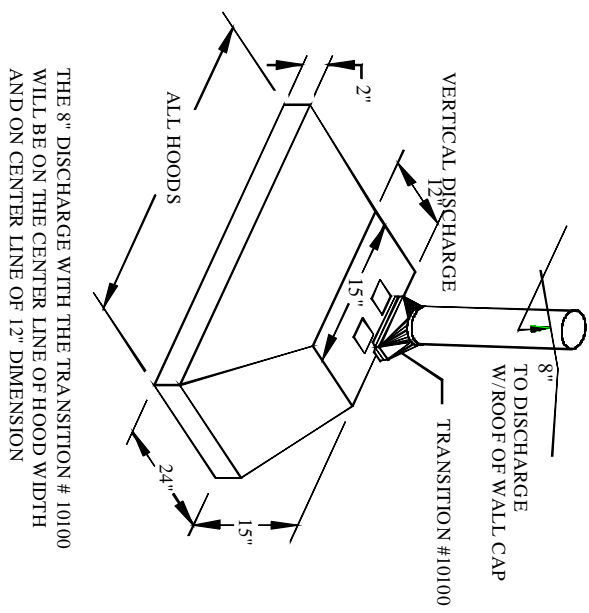


FIG - 3



ALL HOODS  
 THE 8" DISCHARGE WITH THE TRANSITION # 10100  
 WILL BE ON THE CENTER LINE OF HOOD WIDTH  
 AND ON CENTER LINE OF 12" DIMENSION

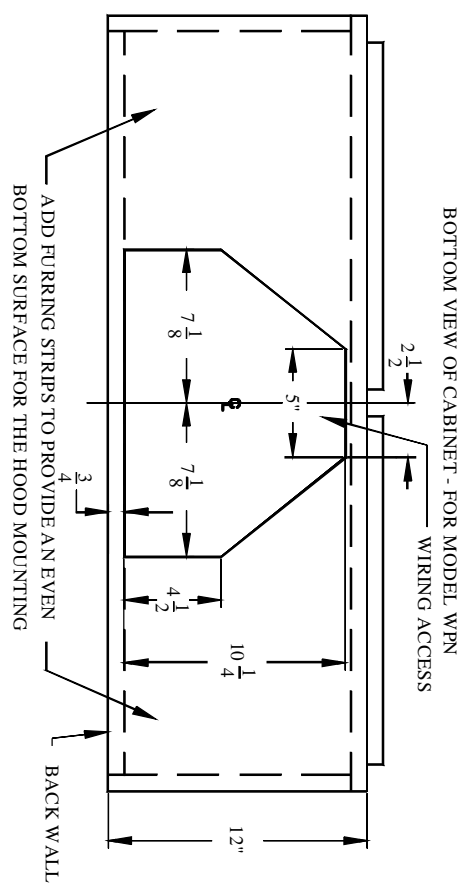


FIG-2

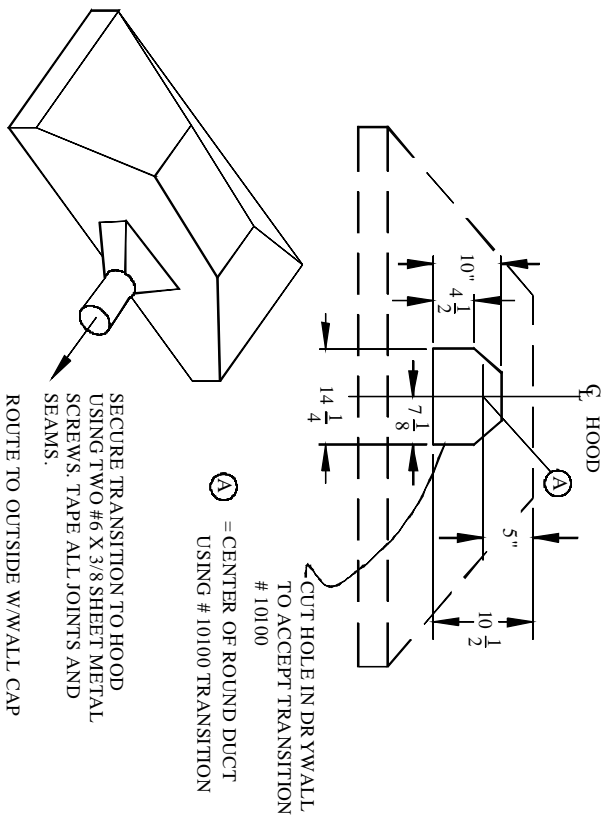


FIG - 4  
 HORIZONTAL DISCHARGE

SECURE TRANSITION TO HOOD  
 USING TWO #6 X 3/8 SHEET METAL  
 SCREWS. TAPE ALL JOINTS AND  
 SEAMS.  
 ROUTE TO OUTSIDE W/WALL CAP

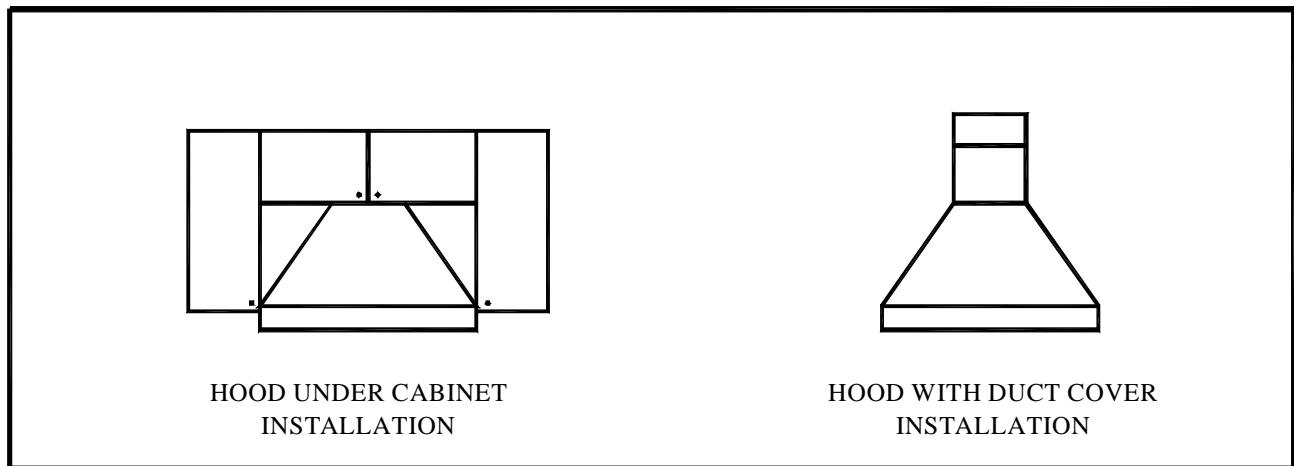
(A) = CENTER OF ROUND DUCT  
 USING # 10100 TRANSITION

# DUCT COVER INSTALLATION INSTRUCTION FOR WPN MODELS

## PLEASE READ DUCT COVER AND HOOD INSTRUCTION COMPLETELY BEFORE PROCEEDING WITH INSTALLATION

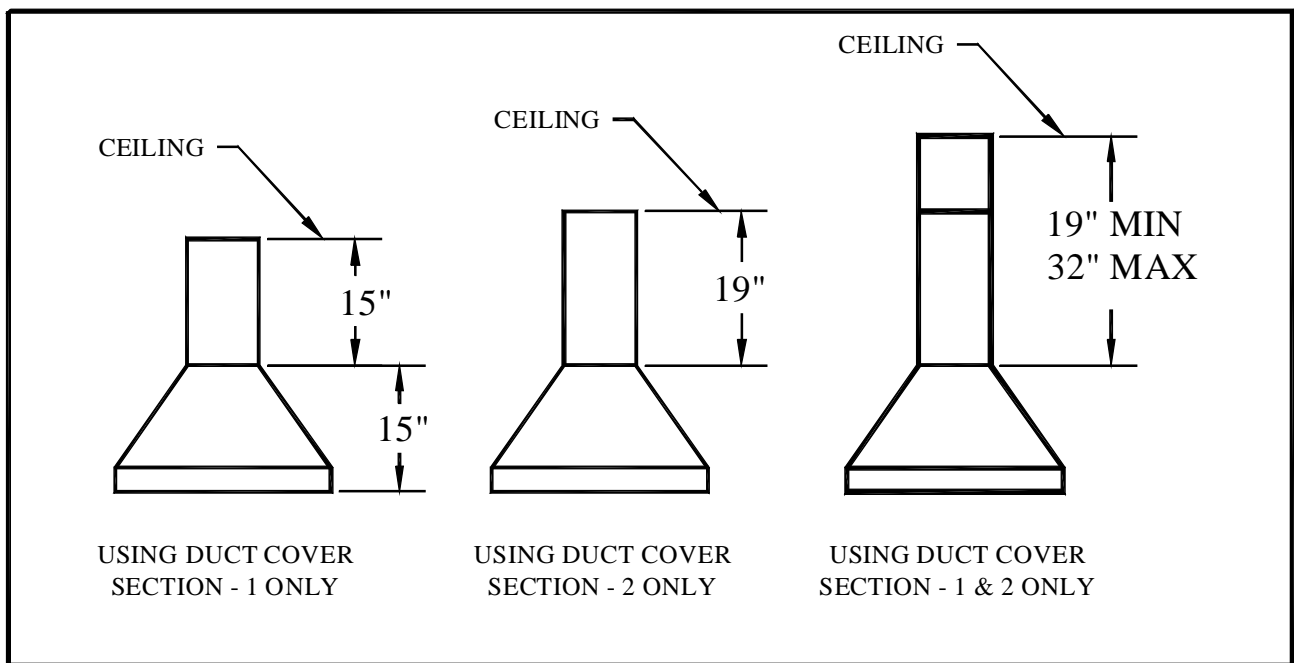
PARTS: One 15" Duct Cover Section  
One 19" Duct Cover Section  
One Duct Cover Bracket  
Two #8 x 1-1/2" Screws (Mount duct cover bracket to ceiling)  
Four #8 x 3-1/2" Screws Secure duct cover section 1 and 2)  
Four #8 x 1/2" Screw Mount duct cover to hood)

Your WPN model hood includes a duct cover, which can be used as an alternate installation method to enclose the ventilation duct. The hood can also be mounted under a cabinet.



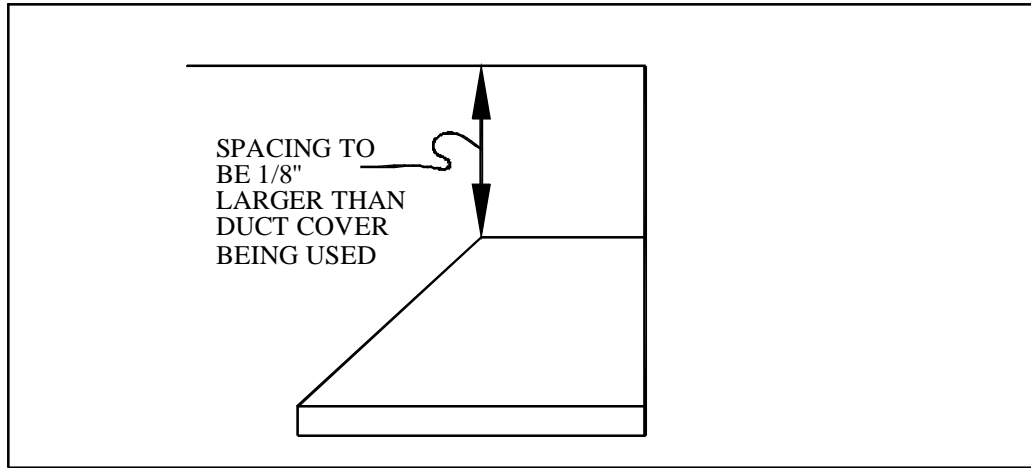
Two typical installation options shown above

When used, the duct cover is designed to accommodate typical ceiling heights of 8-ft to 10-ft.

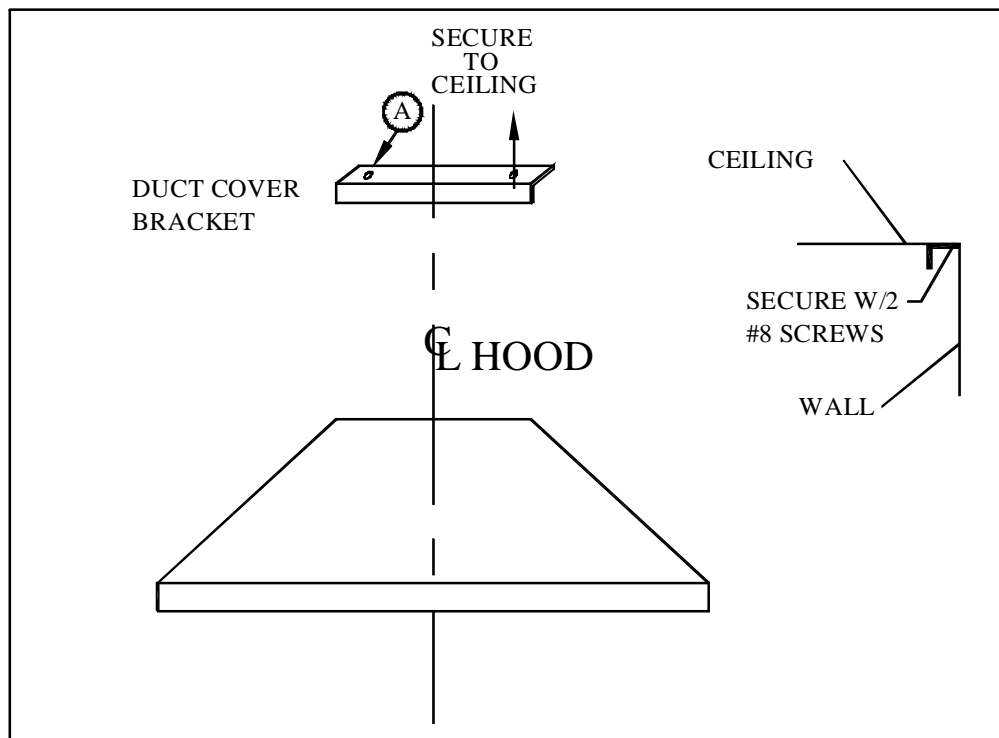


**CAUTION:** To prevent damaging the duct cover, DO NOT remove the protective covering until you are ready to assemble the cover to the hood.

- 1) Decide on hood location, position above cooking surface and type of air discharge to be used (See Hood Installation Instruction). When using the Duct Cover(s) plan on spacing from the top of the hood to the ceiling  $1/8''$  larger than the duct cover length being used. This allows assembly of the duct cover after installation of the hood, electric connections and ducting. The small gap, at top of duct, remaining after installation will not be noticeable in most applications. If necessary a small quarter-round can be used to this gap at the ceiling interface.

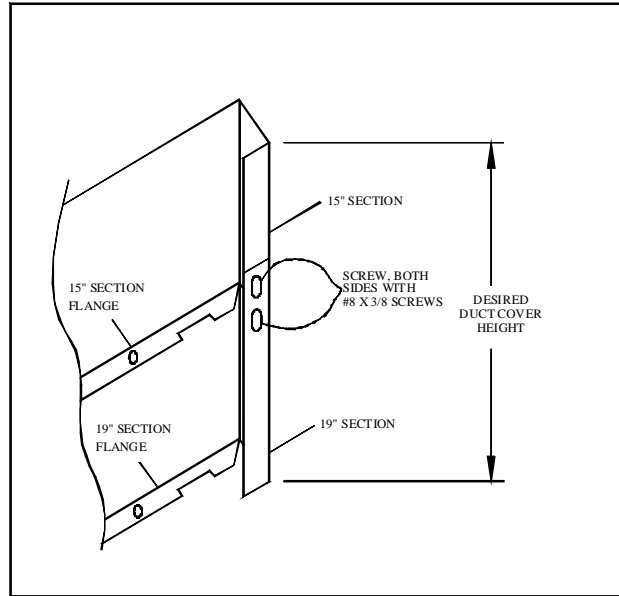


- 2) When using the duct cover and hood, locate hood centerline on wall and mount the Duct Cover Bracket to ceiling centered on the hood centerline, use #8 x 1-1/2" screws to mount bracket. Mount the bracket to the ceiling with edge "A" against the hood-mounting wall. Wood framing should be located, behind wallboard, in the area of the ceiling. If not, use anchors to fasten bracket to ceiling.

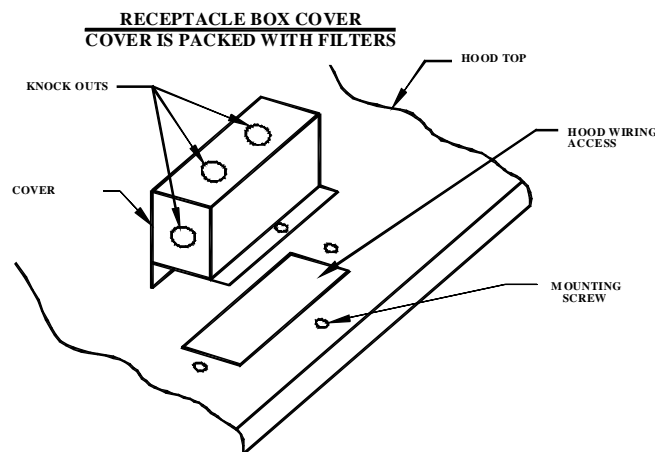


The Duct Cover Bracket is used to ensure the Duct Cover is retained against the wall, for appearance purposes, when the longer length of cover is used.

- 3) Mount the hood and install wiring and ducting per Hood Installation Instruction.
- 4) When using Duct Cover sections 1 & 2, set in length of duct needed and secure sections together using four #8 x 3/8" screws. Flanges on Duct Cover Section should be positioned facing toward same end of Duct Cover assembly. **HINT:** Predrive screws into holes, remove screws, remove protective cover from Duct Cover Sections, assemble Duct Cover sections and set length (**Use extreme caution to avoid scratching Duct Cover Sections**), reinstall screws and tighten. This will ease assembly of screws and prevent scratching of Duct Cover. **REMINDER:** Length of Duct Covers should be 1/8" smaller than spacing of hood top to ceiling.



- 5) Predrive #8x1/2" screws into bottom flange of duct cover. Remove screws and aside for use when mounting duct cover to hood.
- 6) Install the duct cover onto the hood, flanges facing down, and spread the sides of the Duct Cover slightly and position the cover over the Duct Cover Bracket.
- 7) Fasten Duct Cover to hood using screws from step-5. This should be done before installing internal blower unit.
- 8) Install internal blower unit or remote blower unit as required.



**REMOVE APPROPRIATE KNOCK OUTS AND CONNECT WIRING ACCORDING TO HOOD AND BLOWER INSTALLATION INSTRUCTIONS. CAUTION: ALWAYS INSTALL RECEPTACLE BOX COVER.**

